

**Powder Coated
Fixed Arm Turnstile**

**Powder Coated
Drop Arm Turnstile**

**Stainless Steel
Fixed Arm Turnstile**

**Stainless Steel
Drop Arm Turnstile**

AF3004STB
AF3004STSSB

Powder Coated Dual Fixed Arm with Pipe Stand
Stainless Steel Dual Fixed Arm with Pipe Stand

M
O
D
E
L
S

AF3004STB-D
AF3004STSSB-D

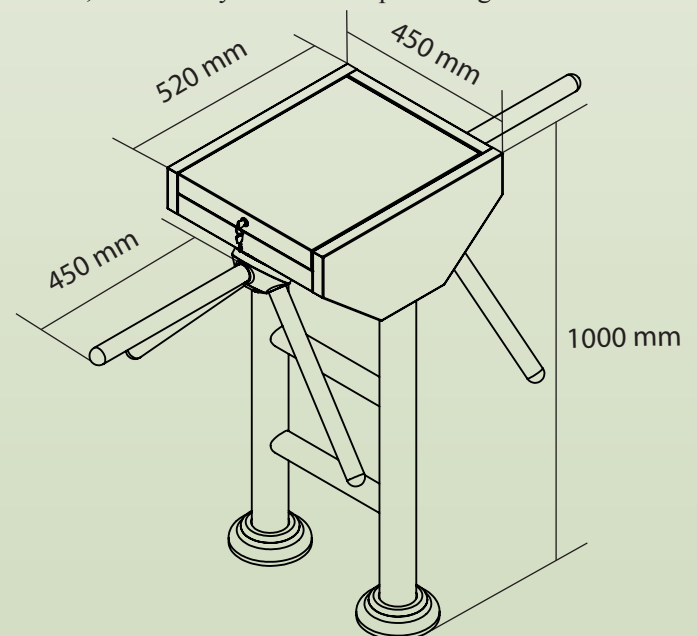
Powder Coated Dual Drop Arm with Pipe Stand
Stainless Steel Dual Drop Arm with Pipe Stand

M
O
D
E
L
S

A selection of different guide barrier options provides the right designs that satisfies both security and traffic control requirements of the entrance point. Enhanced control, high throughput capacity and a choice of materials and colors. The AF3004B series is designed for smooth and silent operation. AF3004B series tripod arms are normally held in a locked position, thus denying access to the secured side. AF3004B series provides both security and convenience, all in a very durable compact design.

Features

- AF3004B-D has arm dropdown capability during power loss emergencies.
- Optional Mechanical or Electronic people counting indicators.
- Can be interface over USB for external application signal.
- Possibility to network multiple counters over RS485 network.
- Possibility to connect with remote PC.
- Two directions adjustable by user.
- Heavy duty stainless steel or powder coated steel.
- Supports many optional auto access control devices to allow only authorized personnel to enter through fingerprint, face recognition or proximity RFID cards.



Riyadh

Call: +966-11-4657722

Fax: +966-11-4661323

Jeddah

Call: +966-12-6736677

Fax: +966-12-6554516

Khobar

Call: +966-13-8644070

Fax: +966-13-8986549