



# Tripod Turnstiles AF3004 Series

idPoint™

Powder Coated  
Fixed Arm Turnstile



Powder Coated  
Drop Arm Turnstile



Stainless Steel  
Fixed Arm Turnstile



Stainless Steel  
Drop Arm Turnstile

AF3004ST  
AF3004STSS

Powder Coated Fixed Arm with Pipe Stand  
Stainless Steel Fixed Arm with Pipe Stand

MODELS

AF3004ST-D  
AF3004STSS-D

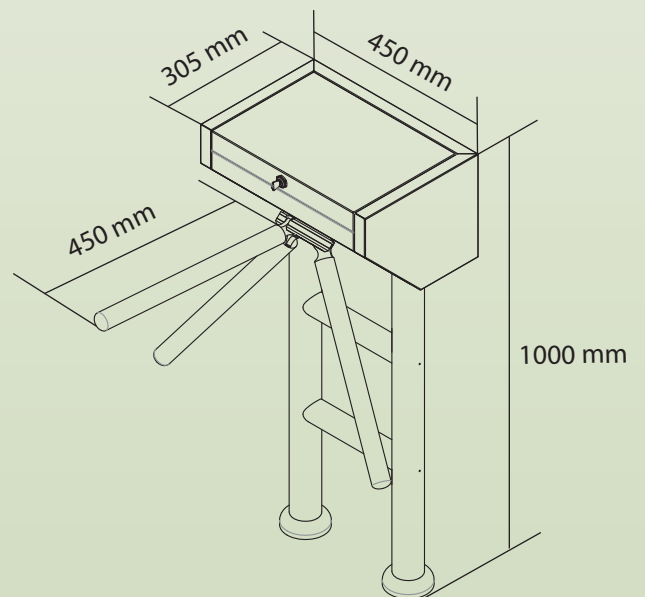
Powder Coated Drop Arm with Pipe Stand  
Stainless Steel Drop Arm with Pipe Stand

MODELS

A selection of different guide barrier options provides the right designs that satisfies both security and traffic control requirements of the entrance point. Enhanced control, high throughput capacity and a choice of materials and colors. The AF3004 series is designed for smooth and silent operation. AF3004 series tripod arms are normally held in a locked position, thus denying access to the secured side. AF3004 series provides both security and convenience, all in a very durable compact design.

## Features

- AF3004-D has arm dropdown capability during power loss emergencies.
- Optional Mechanical or Electronic people counting indicators.
- Can be interface over USB for external application signal.
- Possibility to network multiple counters over RS485 network.
- Possibility to connect with remote PC.
- Two directions adjustable by user.
- Heavy duty stainless steel or powder coated steel.
- Supports many optional auto access control devices to allow only authorized personnel to enter through fingerprint, face recognition or proximity RFID cards.



Riyadh

Call: +966-11-4657722

Fax: +966-11-4661323

Jeddah

Call: +966-12-6736677

Fax: +966-12-6554516

Khobar

Call: +966-13-8644070

Fax: +966-13-8986549