

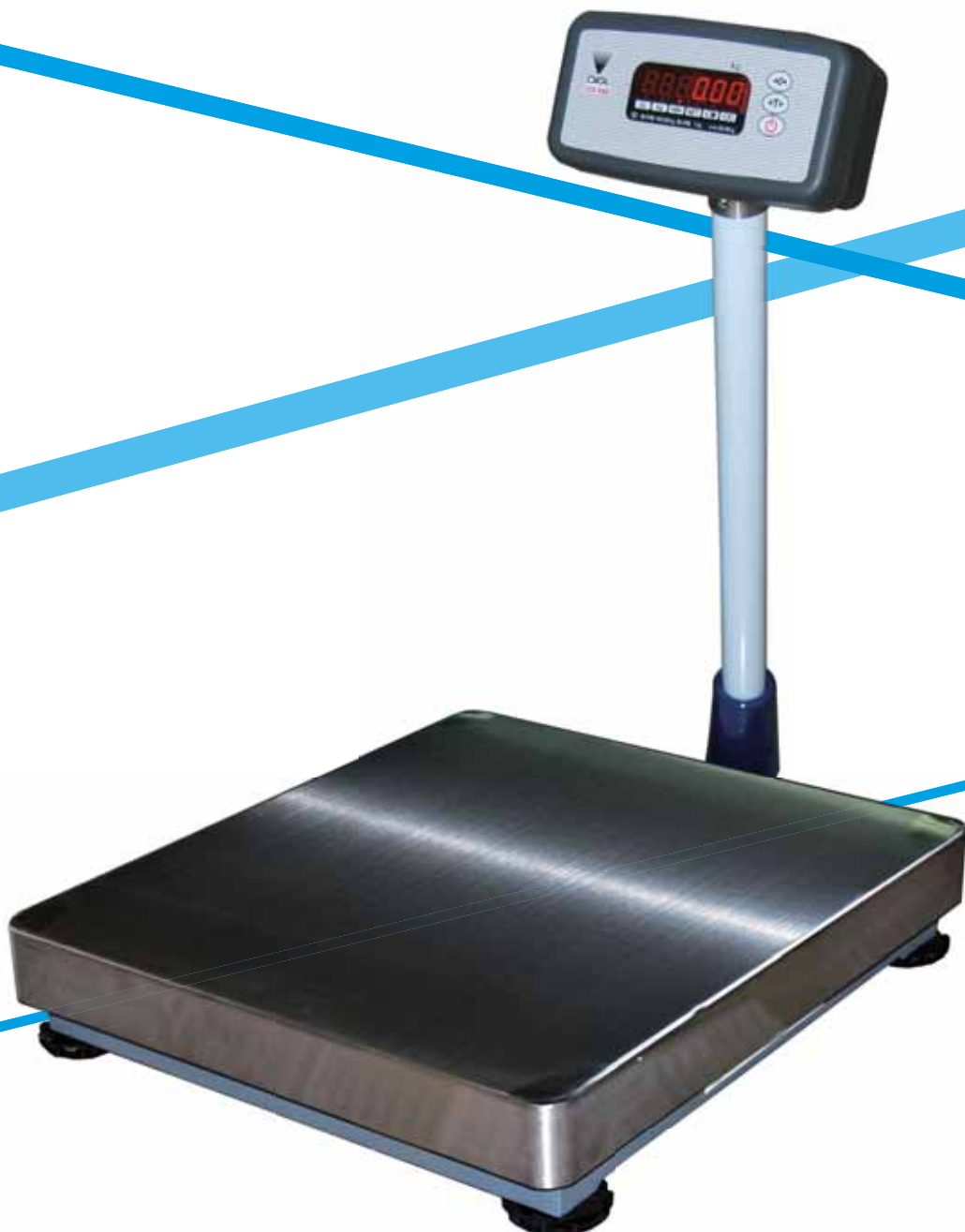


DS-560series

Digital Weighing Platform Scale

User Friendly Features and A Compact Design

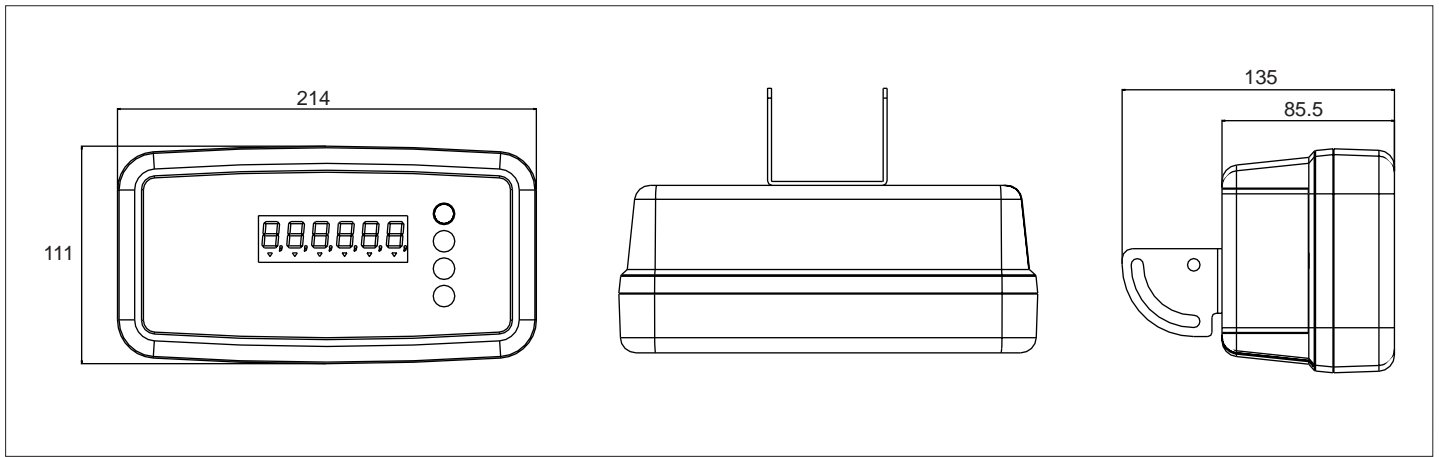
Bright LED display
One touch/digital tare subtraction
Intelligent power control
Optional rechargeable battery



Searching for

a New Balance

Console Dimensions(mm)



Basic Specifications

| | |
|-----------------------|---|
| Model | DS-560 |
| Capacity | 6kg, 15kg, 30kg, 60kg, 150kg, 300kg, 600kg |
| Power Source | AC 240/230/220V , 117/100V(Factory Option) DC 6V 2.8Ah rechargeable battery (optional) |
| Display | LED |
| Resolution | 1/3,000 |
| Operating Temperature | -10 ~ +40 |
| Operating Humidity | 15% ~ 85% RH |
| Power Consumption | 18W (when using AC power) 3W (when using rechargeable battery) |
| Dimensions(console) | 214 (W) x 135 (D) x 111 (H) mm |

Platform (optional)

| Model | Demension | Max.Capacity | Loadcel Type | Frame Material | Platter Size | Platter Material | Pole Length | Pole Material |
|-------|---------------|---------------|--------------|-----------------|--------------|------------------------------|-------------|--------------------------|
| S-GA | 368x488x97mm | 60/150/300kg | S | Normal steel | 368x488mm | Stainless steel | 690/395mm | Aluminum/Stainless steel |
| S-GAS | 368x488x97mm | 60/150/300kg | S-P | Stainless steel | 368x488mm | Stainless steel | 800mm | Stainless steel |
| S-GB | 500x600x100mm | 60/150/300kg | PMB | Normal steel | 500x600mm | Normal steel/Stainless steel | 690mm/395mm | Aluminum/Stainless steel |
| S-GBS | 500x600x100mm | 60/150/300kg | PMB-P | Stainless steel | 500x600mm | Stainless steel | 690mm/395mm | Aluminum/Stainless steel |
| S-GC | 700x800x120mm | 150/300/600kg | PMD | Normal steel | 700x800mm | Normal steel/Stainless steel | 690mm/395mm | Aluminum/Stainless steel |
| S-GCS | 700x800x120mm | 150/300/600kg | PMD-P | Stainless steel | 700x800mm | Stainless steel | 690mm/395mm | Aluminum/Stainless steel |
| S-GD | 350x400x85mm | 30/60/150kg | P | Normal steel | 350x400mm | Normal steel/Stainless steel | 600mm | Normal steel |
| S-GE | 341x284x63mm | 6/15/30kg | JW | Stainless steel | 341x284mm | Stainless steel | 252mm | Stainless steel |
| S-GF | 320x360x80mm | 30/60/150kg | P | Normal steel | 320x360mm | Stainless steel | 450mm/270mm | Stainless steel |
| S-GH | 450x500x95mm | 60/150/300kg | S | Normal steel | 450x500mm | Normal steel/Stainless steel | 690mm/395mm | Aluminum/Stainless steel |
| S-GL | 450x600x125mm | 60/150kg | MB-P | Normal steel | 450x600mm | Stainless steel | 690mm | Stainless steel |
| S-GLS | 450x600x125mm | 60/150kg | MB-P | Stainless steel | 450x600mm | Stainless steel | 690mm | Stainless steel |

*Specifications are subject to change without prior notice.

TERAOKA SEIKO CO.,LTD.

13-12 Kugahara 5-chome, Ohta-ku,
Tokyo 146-8580, JAPAN
TEL: +81-3-3752-2131
FAX: +81-3-3752-2801
URL: <http://www.digisystem.com>
E-MAIL: info@hq.digi.co.jp

TERAOKA WEIGH-SYSTEM PTE LTD.

4, Leng Kee Road, #06-01, SIS Building,
SINGAPORE 159088
TEL: +65-6861-3911
FAX: +65-6861-3144

SHANGHAI TERAOKA ELECTRONIC CO., LTD.

TINGLIN INDUSTRY DEVELOPMENTAL ZONE,
JINSHAN COUNTY, SHANGHAI 201505
TEL: +86-21-57234888
FAX: +86-21-57233049
<http://www.digisystem.com.cn>